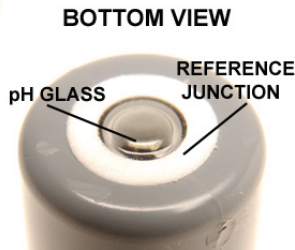




Submersible Flat-surface, Self-Cleaning pH and ORP Electrodes



Quick Disconnect Design Saves Time and Money

Installs in Seconds, No Tools Needed

Flat Surface Design Resists Coating

CPVC or PVDF Models Available

Available with or without ATC Elements

The submersion pH and ORP electrodes from Sensorex are designed for measurements in tanks, flumes and sewer lines. Submersion designs are also well suited for applications with high suspended solids or where flocculation operations require low velocities or in tanks with high agitation.

Where low velocities are present and coating is a problem, the electrode can be mounted at a 45 degree angle facing into the flow so as to obtain increased scrubbing action across the measuring surface.

The cartridge quick disconnect design makes changing electrodes a snap and minimizes down time due to electrode maintenance.

Specifications

Range : 0-14pH (0-12pH without Na+ error)
+/- 2000mV for ORP

Body material : CPVC or KYNAR

Reference material : HDPE for CPVC, KYNAR FOR KYNAR

Min Temperature : 10C/50F

Max Temperature : 75C/170F = 100 psig
81C/180F = 85 psig
100C/212F = 50 psig

Pressure : 0-100 psig (7.5 Bar)- see max temp

Reference Type : Double Junction

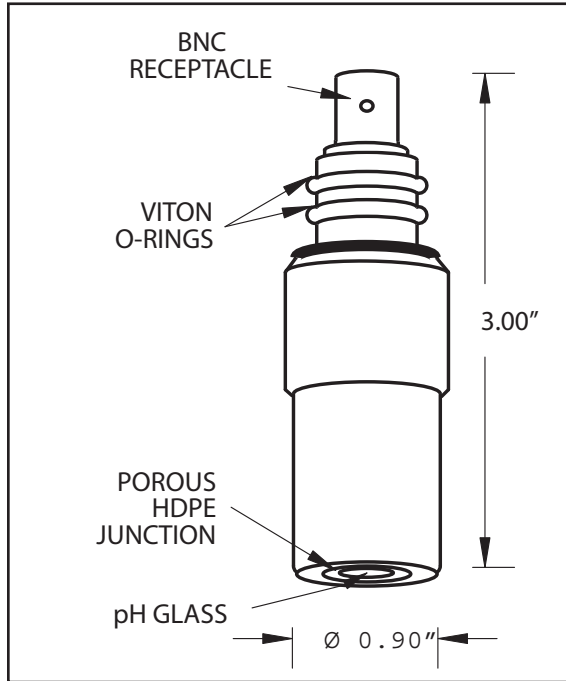


Parts covered by this product data sheet include:
S650CD, S650CD-ORP, S650KD, S650KD-ORP, S650CD-HT,
S650CD-ORP-HT, S650CD-LC, S650KD-HT

PRODUCT SPECIFICATION SHEET

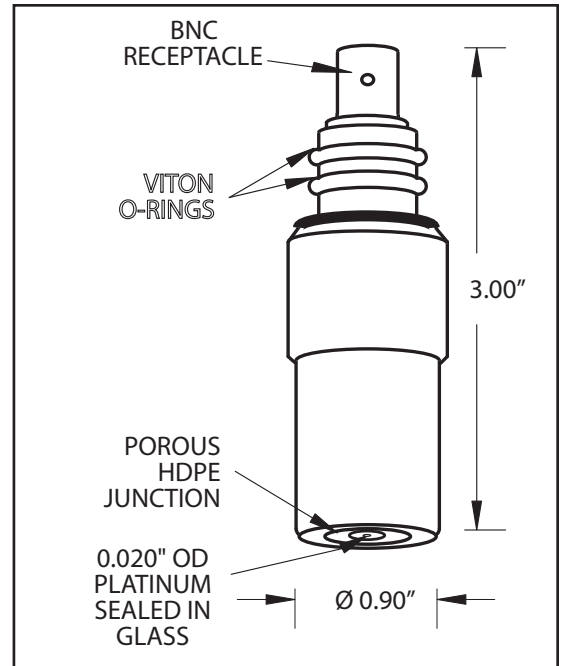
CPVC ELECTRODES

pH - S650CD, S650CD-HT, S650CD-LC

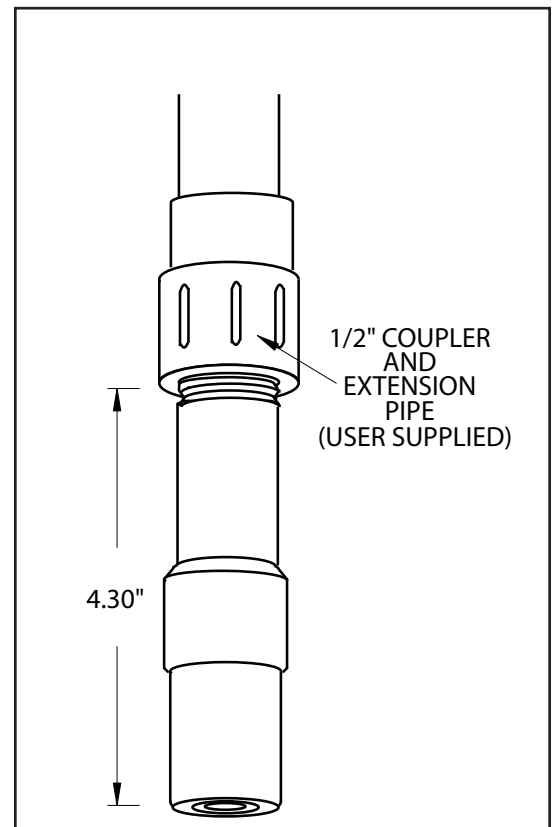
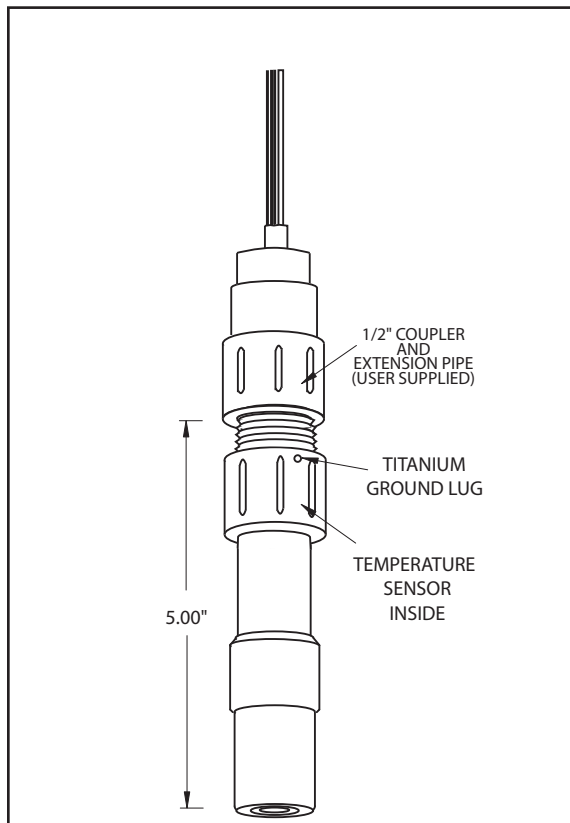


CPVC CABLES WITH ATC - S653TC

ORP - S650CD-ORP, S650CD-ORP-HT, S650CD-ORP-LC



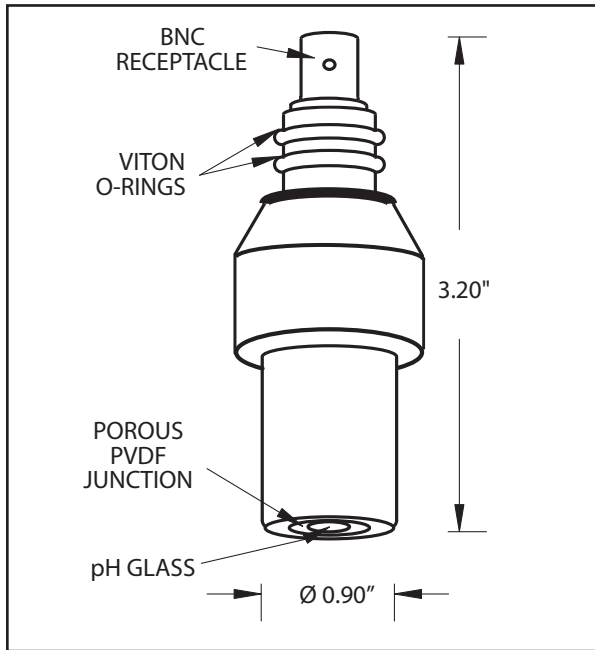
CPVC CABLES WITHOUT ATC - S653



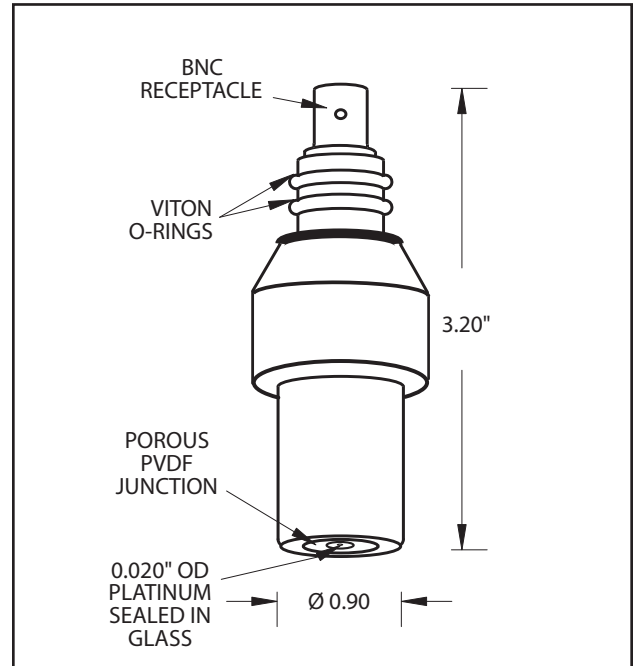


KYNAR(PVDF) ELECTRODES

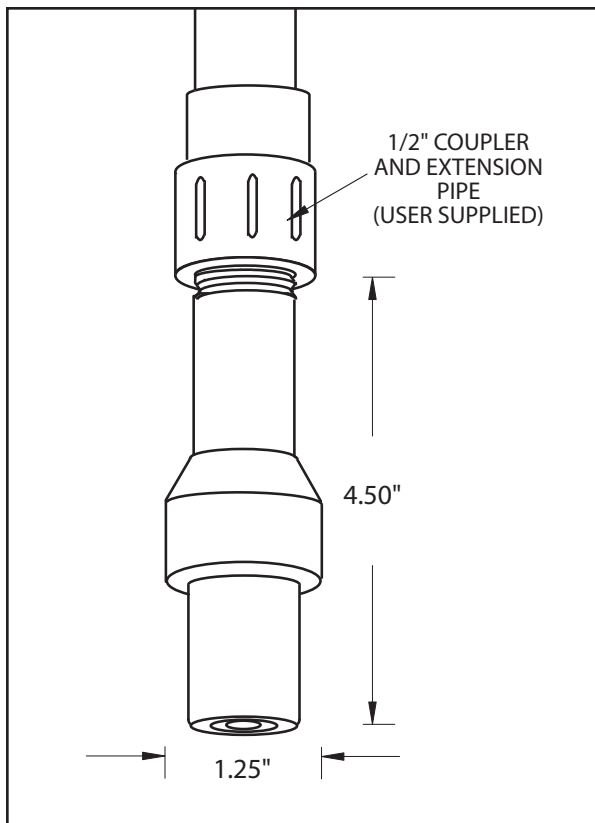
pH - S650KD, S650KD-HT, S650KD-LC



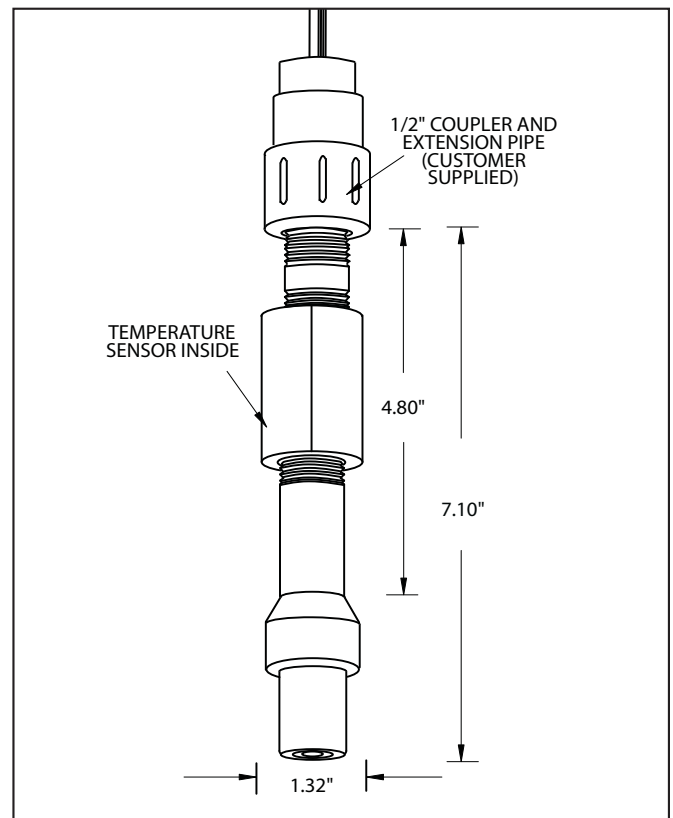
ORP - S650KD-ORP, S650KD-ORP-HT, S650KD-ORP-LC



KYNAR (PVDF) CABLE WITHOUT ATC -S653K



KYNAR (PVDF) CABLE WITH ATC - S653TK



PRODUCT SPECIFICATION SHEET

ORDERING INFORMATION

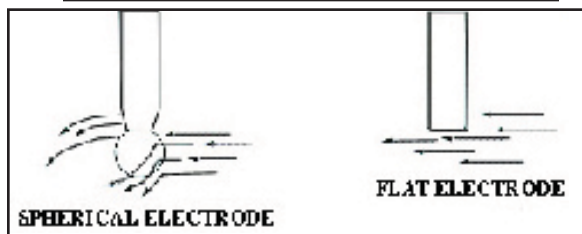
Systems without temperature compensation

ORDER 2 ITEMS	DESCRIPTION	CPVC PARTS	KYNAR (PVDF) PARTS
1. Select one electrode(pH or ORP)	pH combination electrode pH combination electrode(high temp) Model for Low Ionic samples Model for acidic HF samples ORP combination electrode ORP combination electrode (high temp)	S650CD S650CD-HT S650CD-LC S650CD-HF S650CD-ORP S650CD-ORP-HT	S650KD S650KD-HT S650KD-LC S650KD-HF S650KD-ORP S650KD-ORP-HT
2. Select one cable assembly	For conduit use	S653-"cable length"-"Connector"	S653K-"cable length"-"Connector"

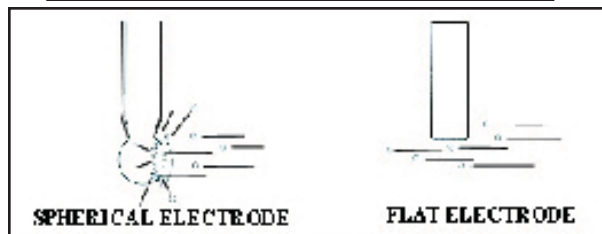
Systems with temperature compensation

ORDER 2 ITEMS	DESCRIPTION	CPVC PARTS	KYNAR (PVDF) PARTS
1. Select one electrode	pH combination electrode pH combination electrode(high temp) Model for Low Ionic samples Model for acidic HF samples	S650CD S650CD-HT S650CD-LC S650CD-HF	S650KD S650KD-HT S650KD-LC S650KD-HF
2. Select one cable assembly	For conduit use for exposed cable use	S653TC-"ATC CODE"-"cable length"-"Connectors"	S653TK-"ATC CODE"-"cable length"-"Connectors" ----

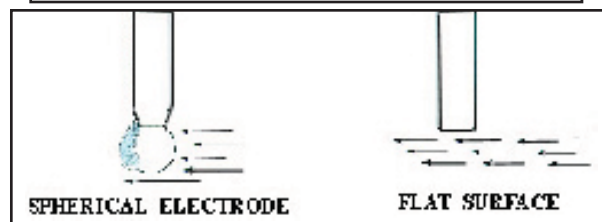
SELF-CLEANING OPERATION



ABRASION-FREE OPERATION



VISCOUS MATERIAL OPERATION



Sensorex[®]

11751 Markon Dr.
Garden Grove, CA 92841 USA

Tel: 714-895-4344
Fax: 714-894-4839
E-mail: info@sensorex.com
www.sensorex.com